



SPIRIT FITNESS

A Heritage of Quality | The Spirit of Innovation

Инструкция по сборке. Жим ногами / голень машина



Руководство пользователя



A Heritage of Quality | The Spirit of Innovation
SPIRIT FITNESS

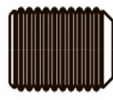


A Heritage of Quality | The Spirit of Innovation
SPIRIT FITNESS

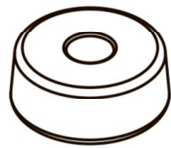


A Heritage of Quality | The Spirit of Innovation
SPIRIT FITNESS

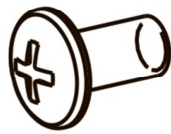
1

1  X2

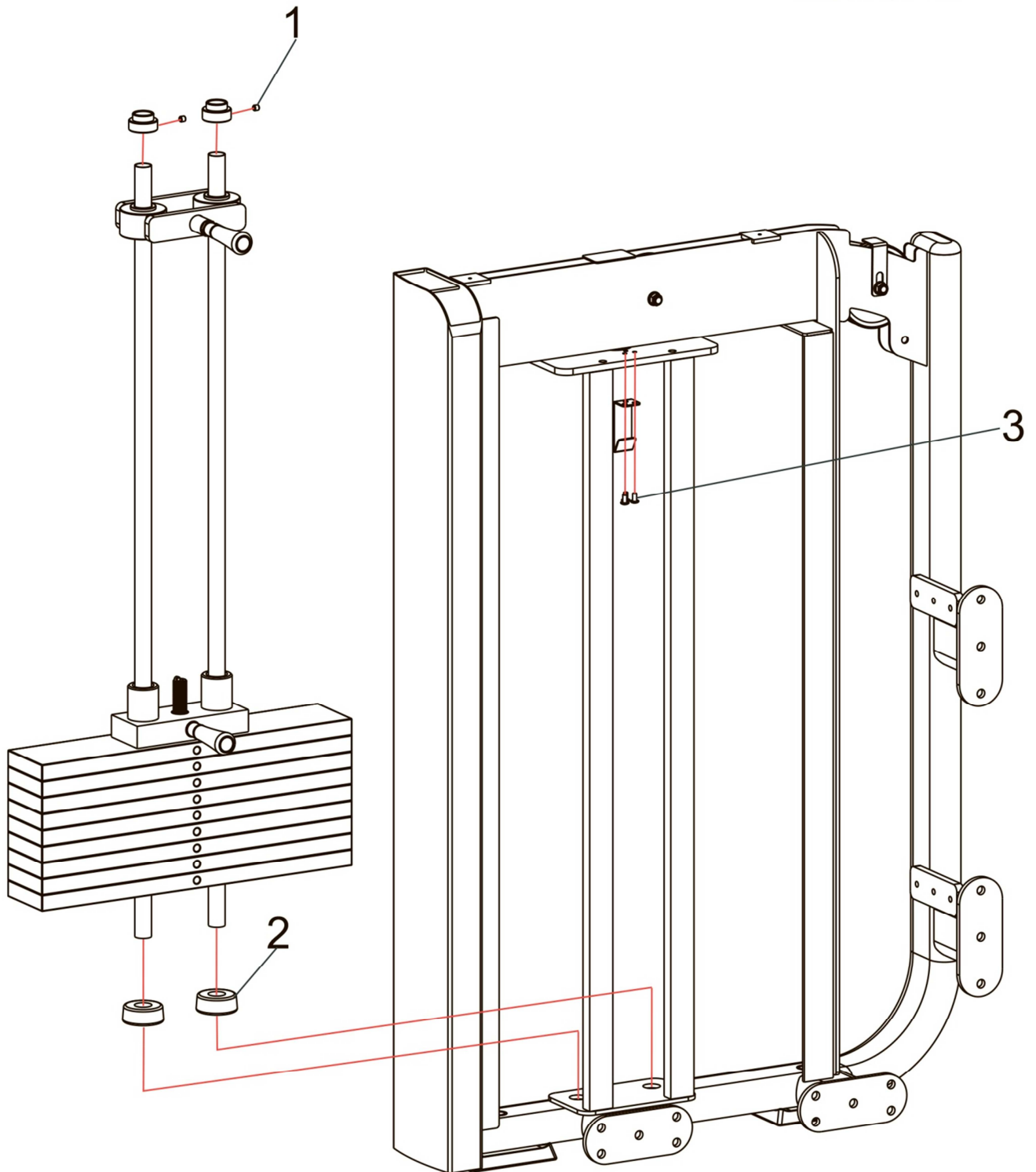
M8X10 

2  X2

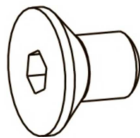

$\Phi 62 \times \Phi 26 \times 25$

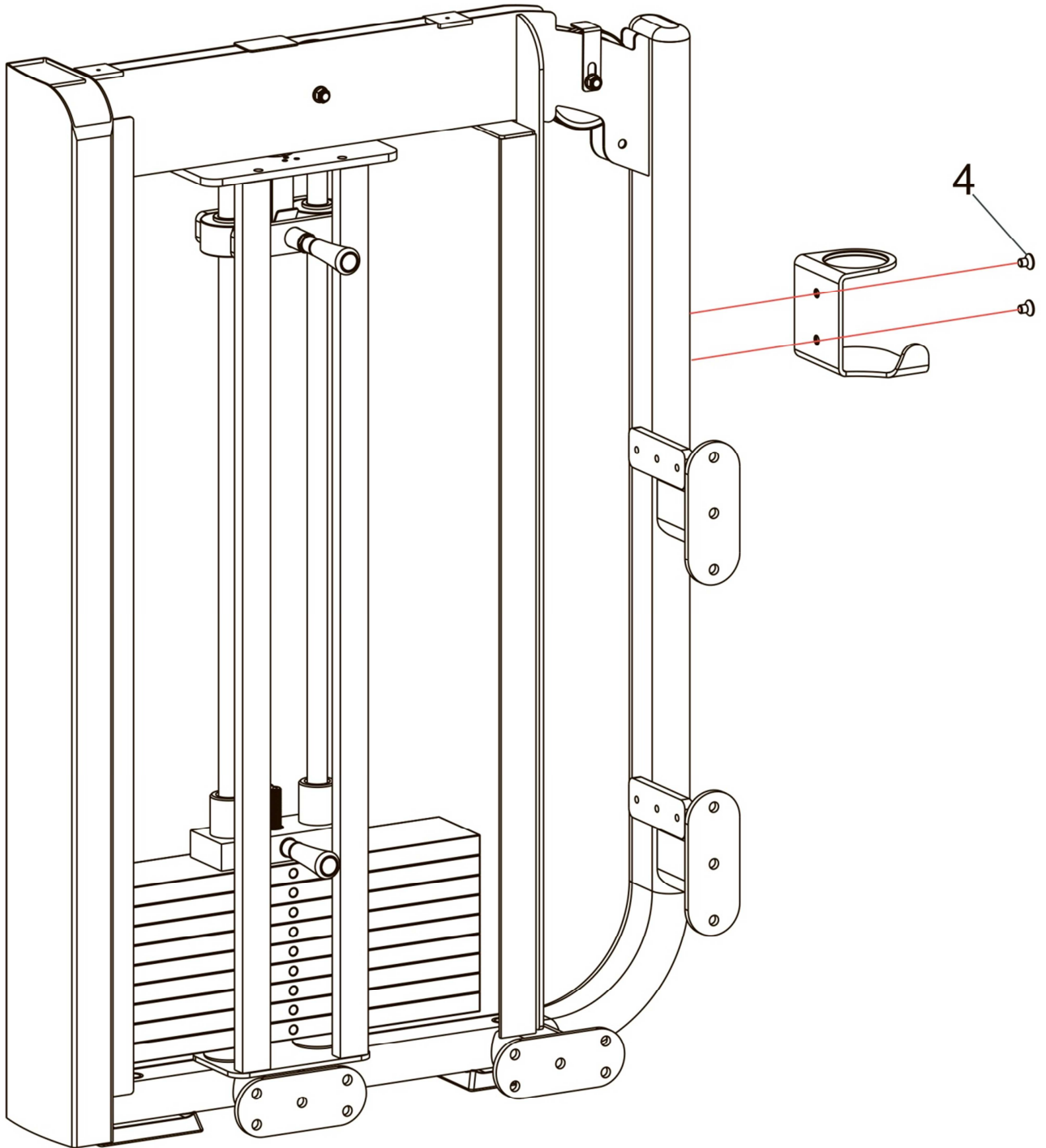
3  X3

M6X12 




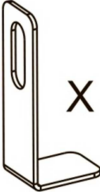



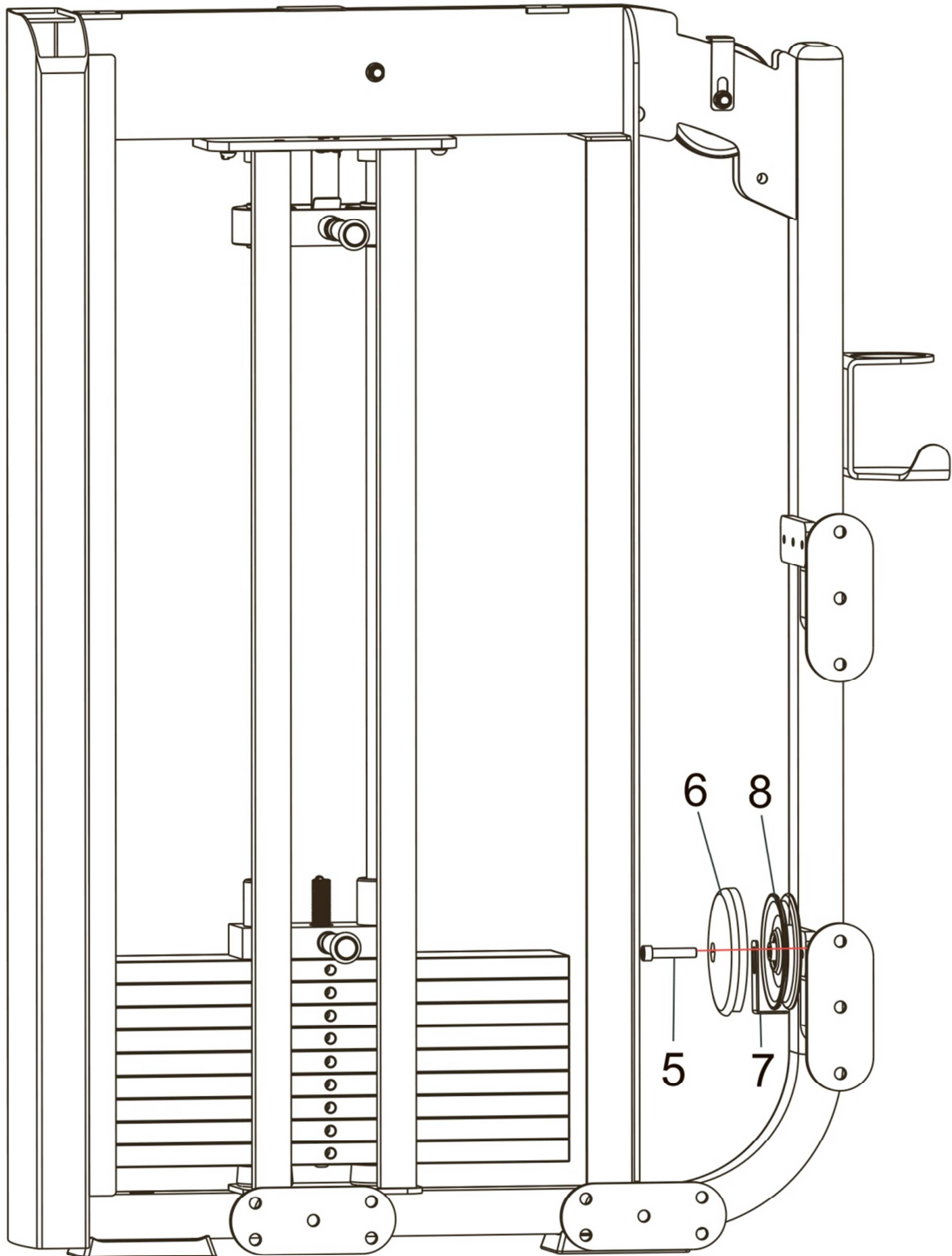
2

4  X2
M10X20 

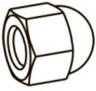


3

- 5  X1
M10X50 
- 6  X1
Φ127
- 7  X1
(35+80)X25X2
- 8  X1
Φ127



4

9  X18

10  X36


M12 

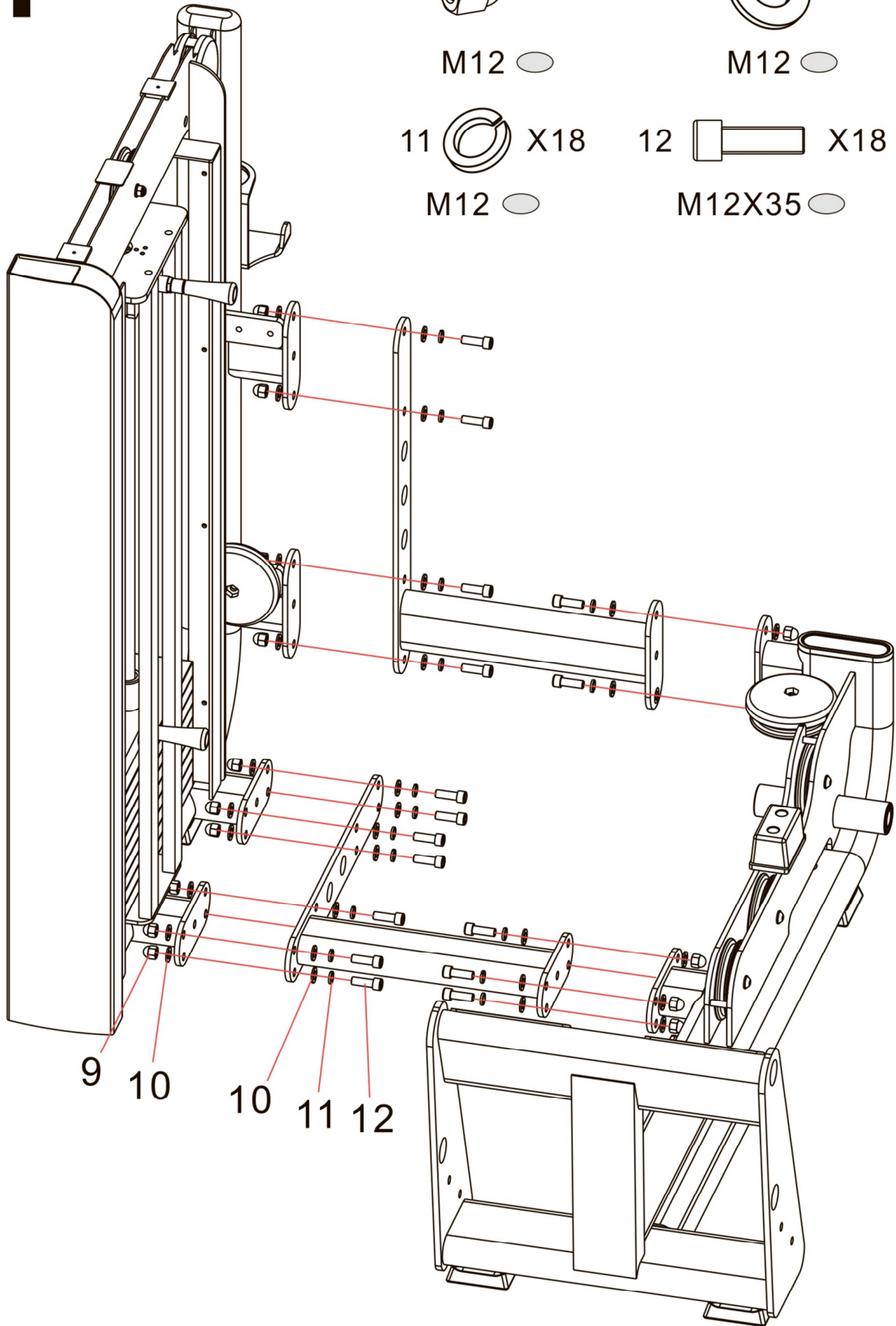
M12 

11  X18

12  X18

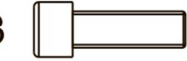
M12 

M12X35 



5

13 X4



M10X40

14 X4



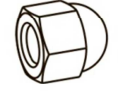
M10

15 X8

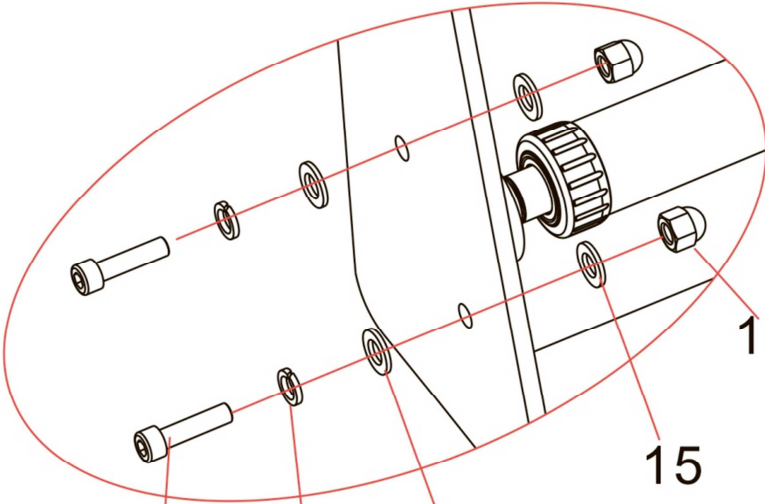


M10

16 X4



M10



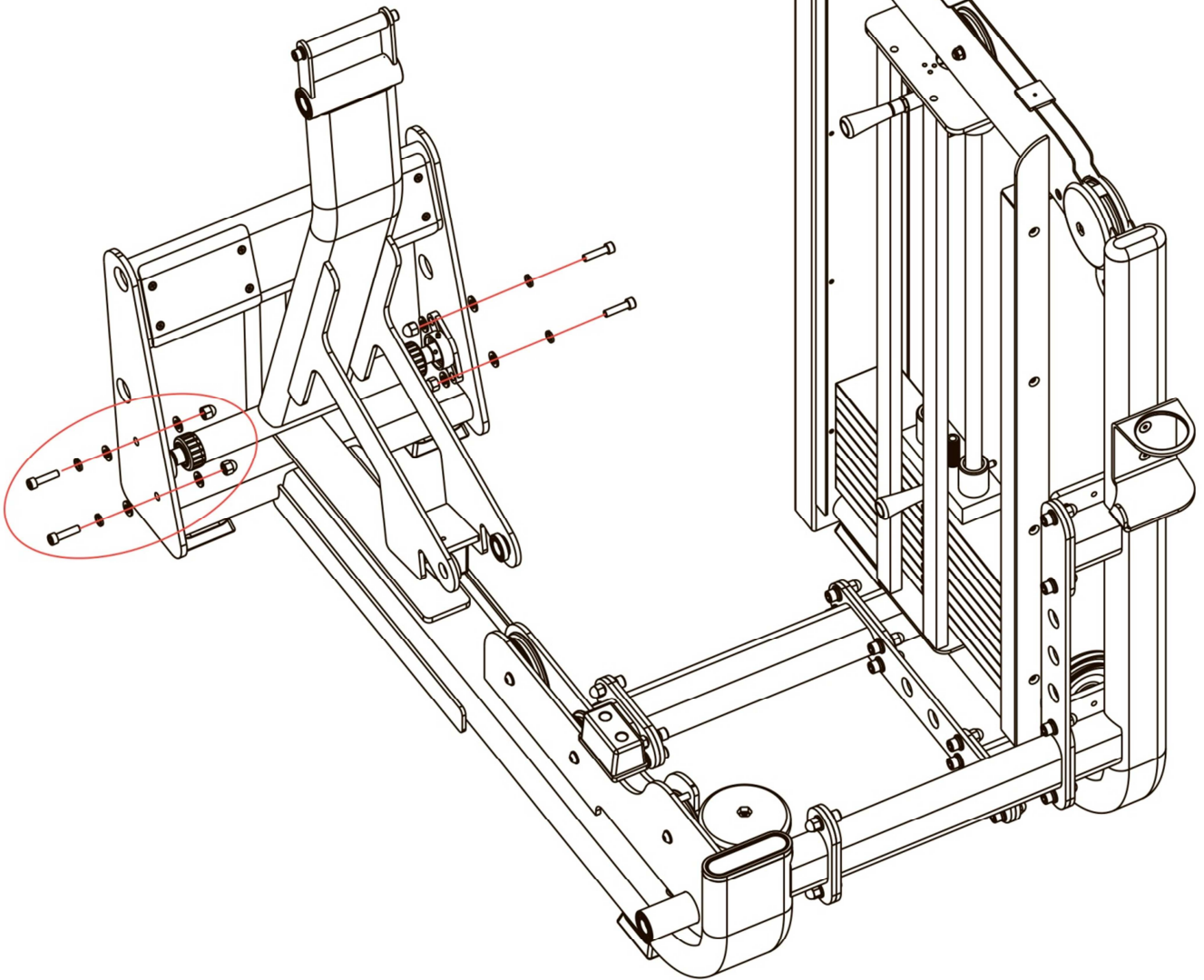
16

15

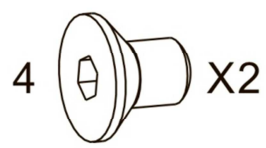
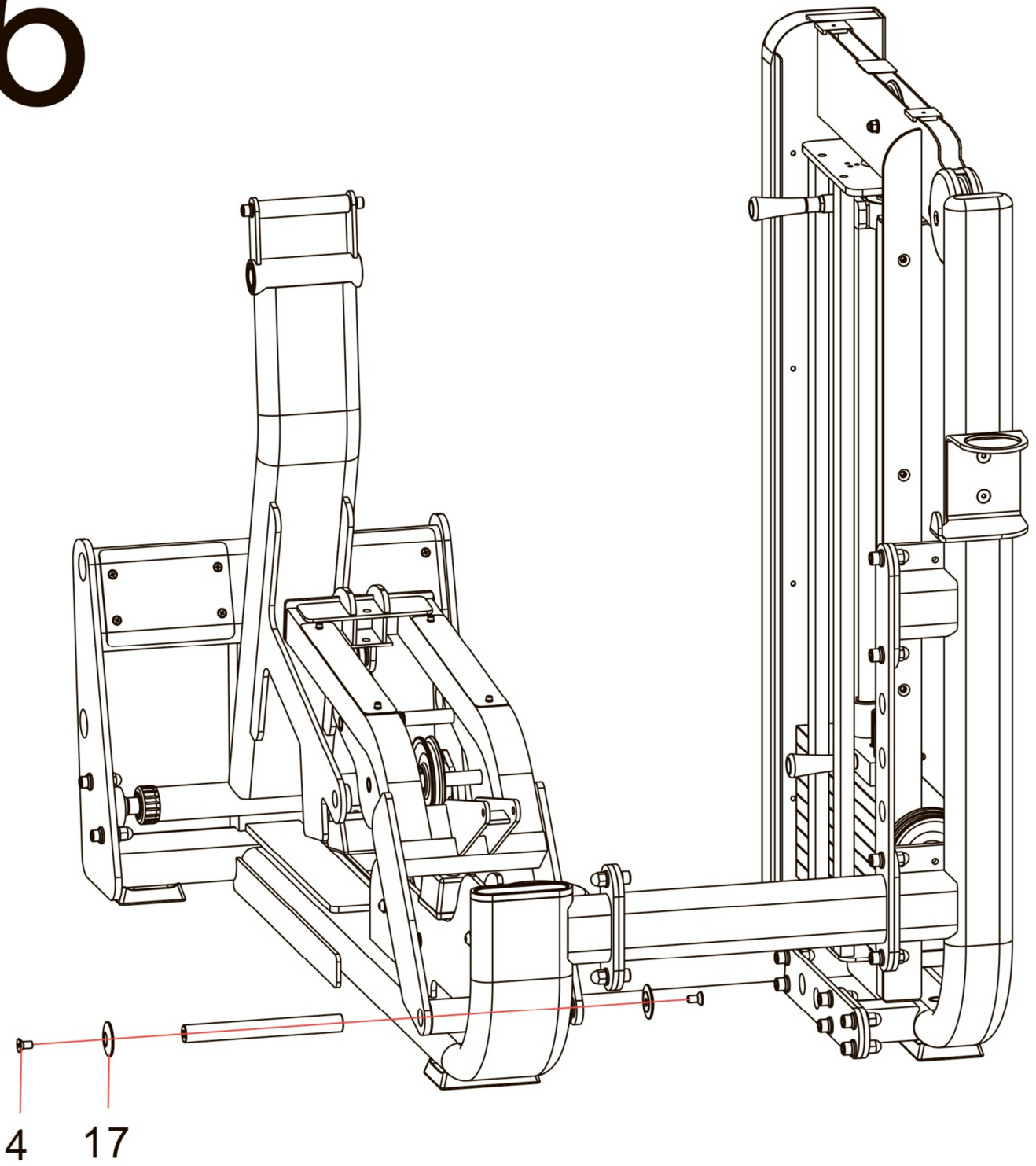
13

14

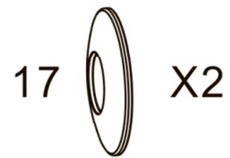
15



6

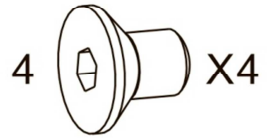


M10X20 



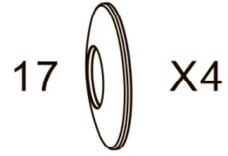
$\Phi 50 \times \Phi 11 \times 8.1$

7



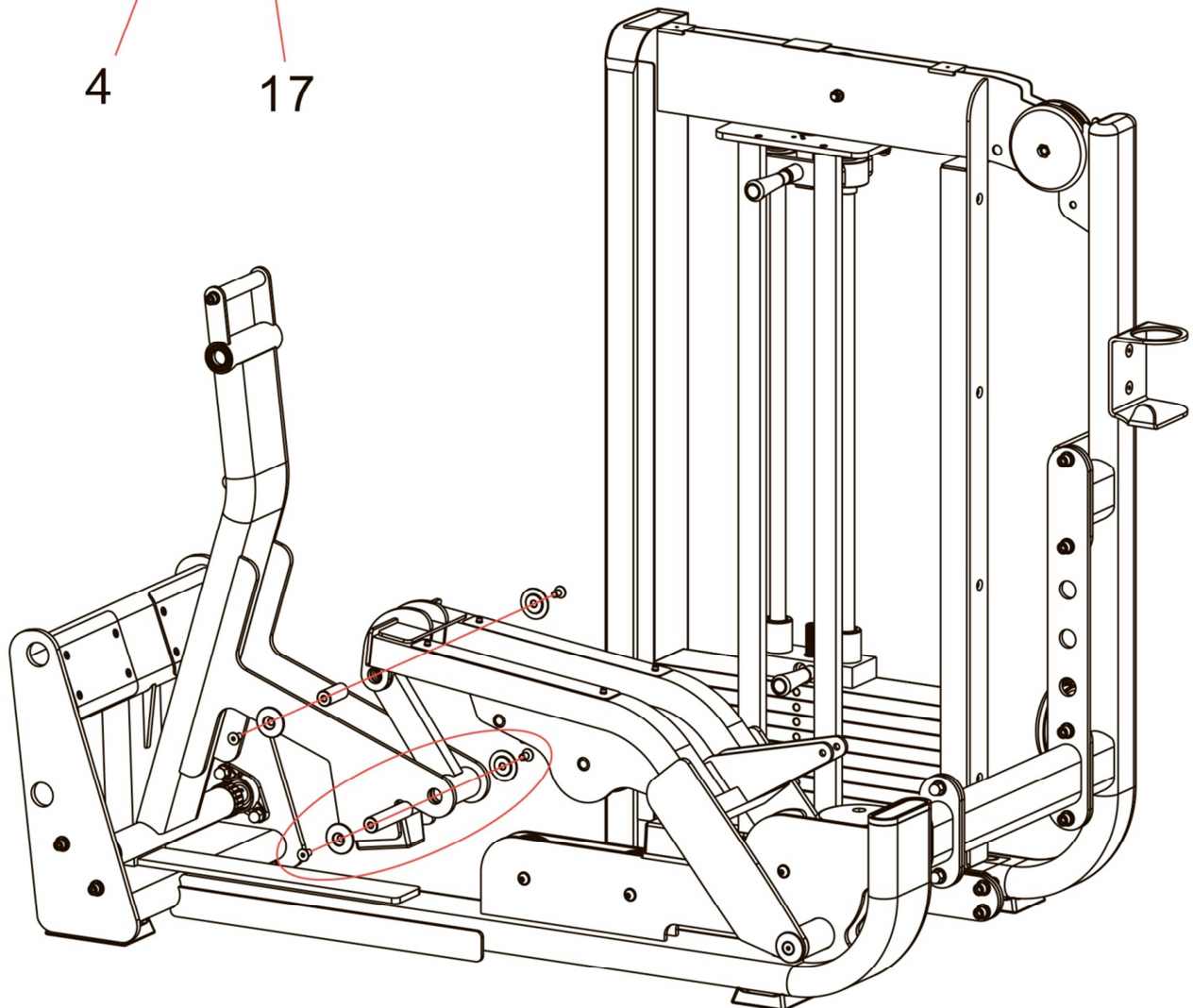
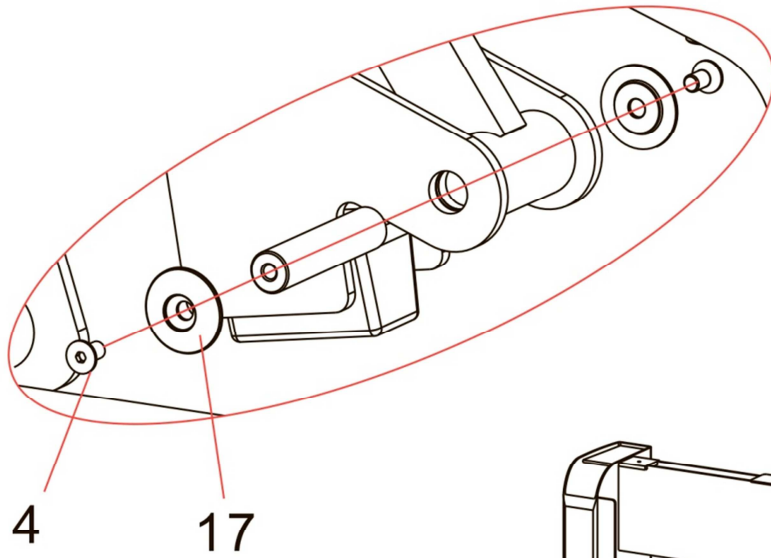
4 X4

M10X20

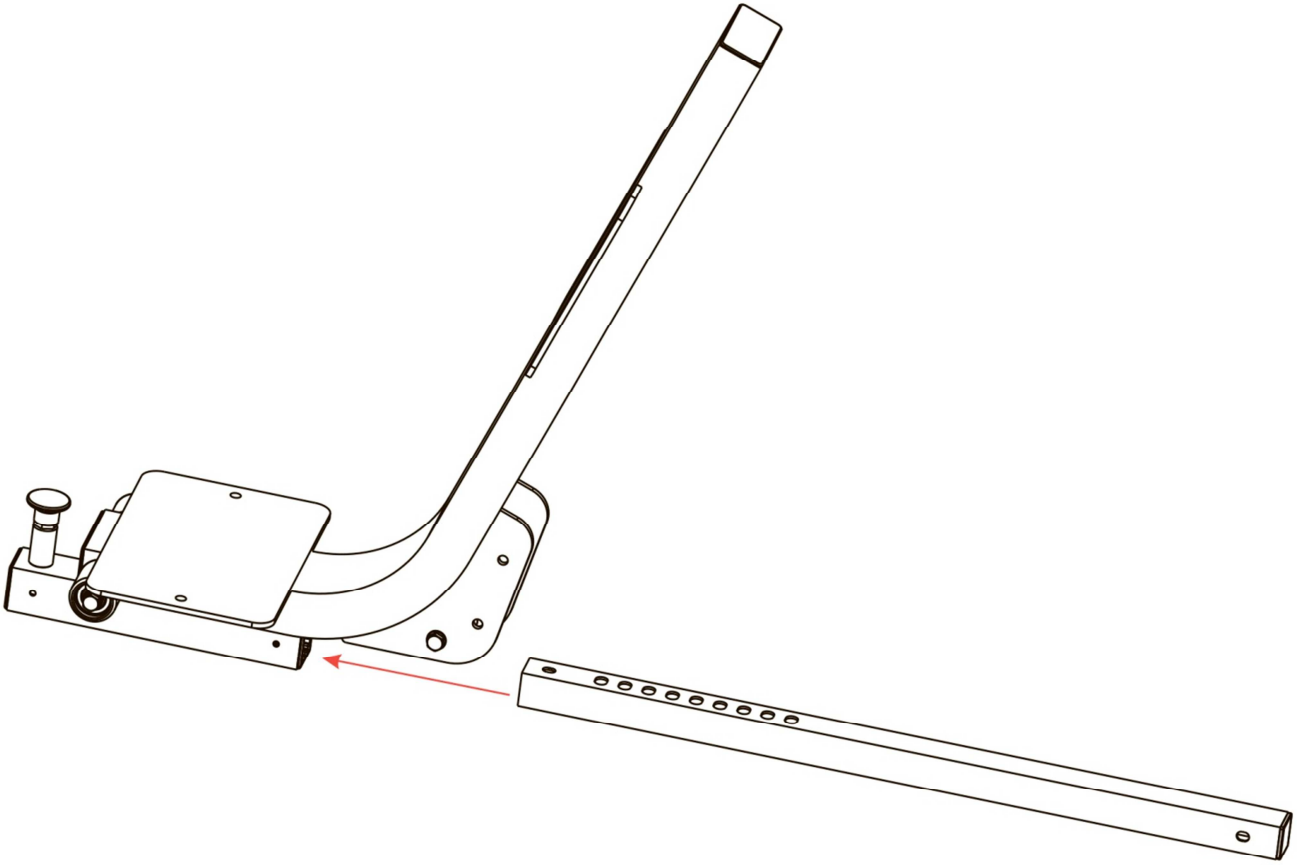


17 X4

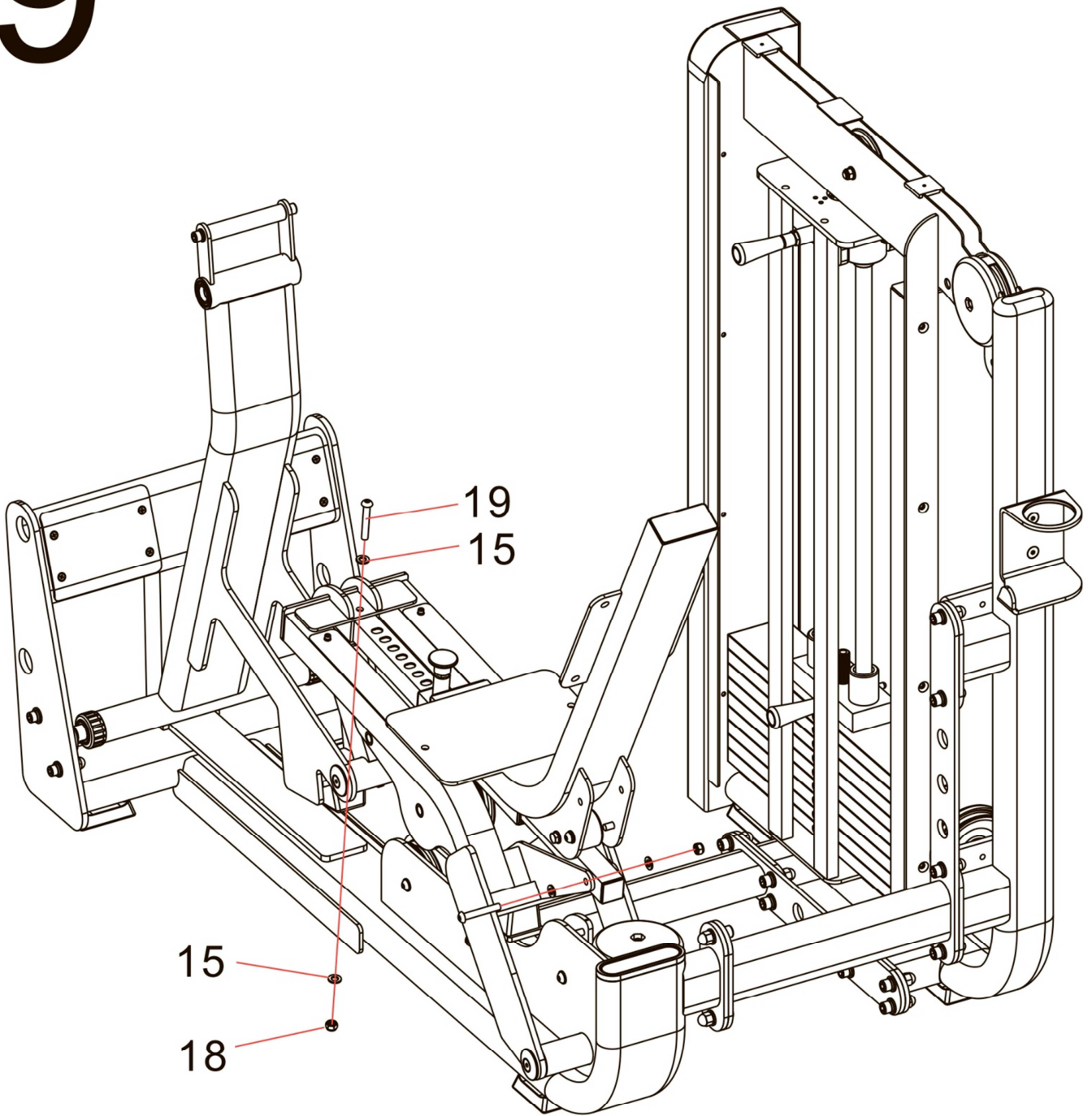
$\phi 50 \times \phi 11 \times 8.1$





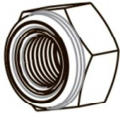

8




9

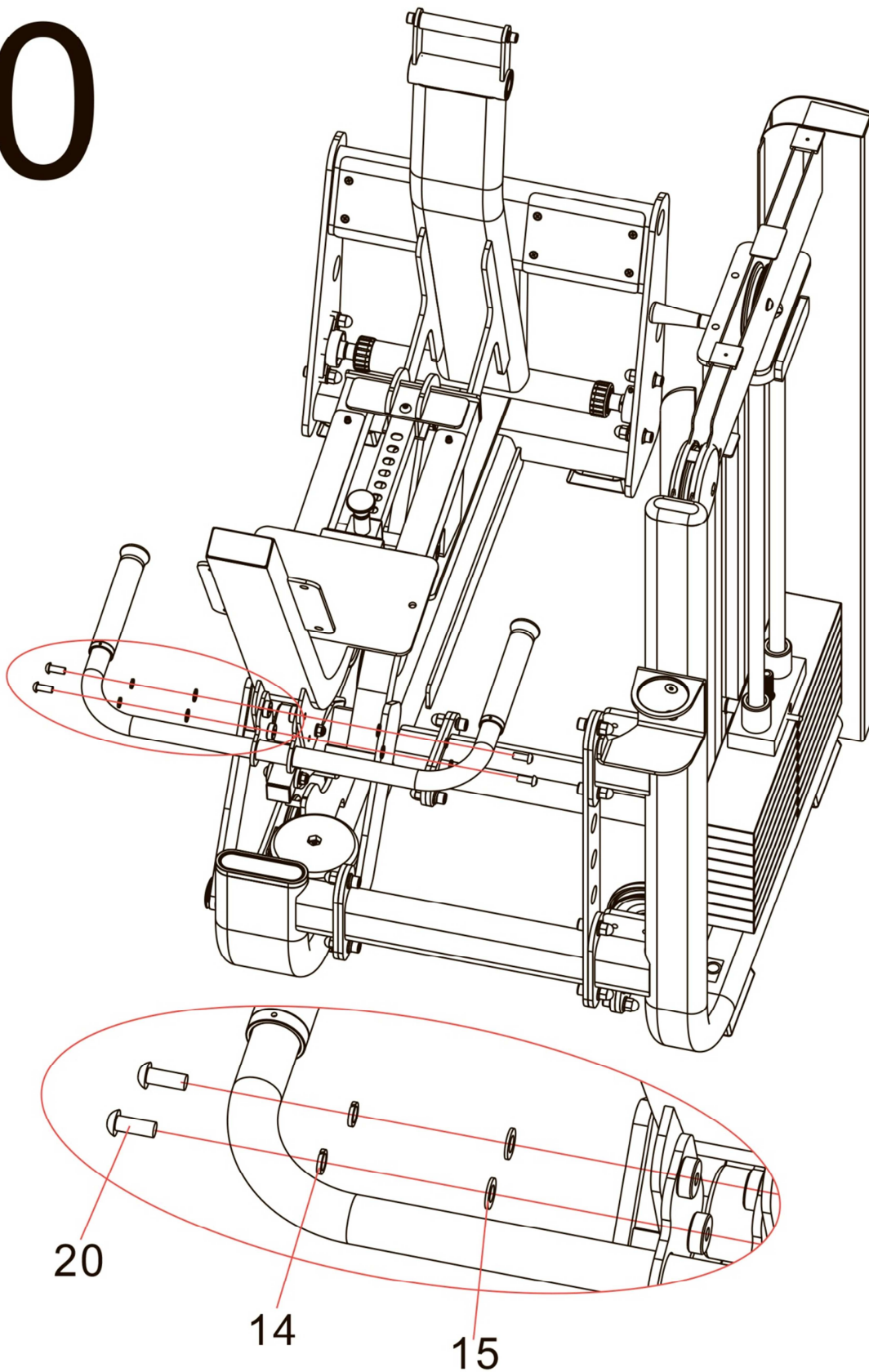


15  X4
M10 

18  X2
M10 

19  X2
M10X50 

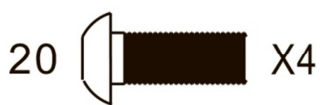
10



M10

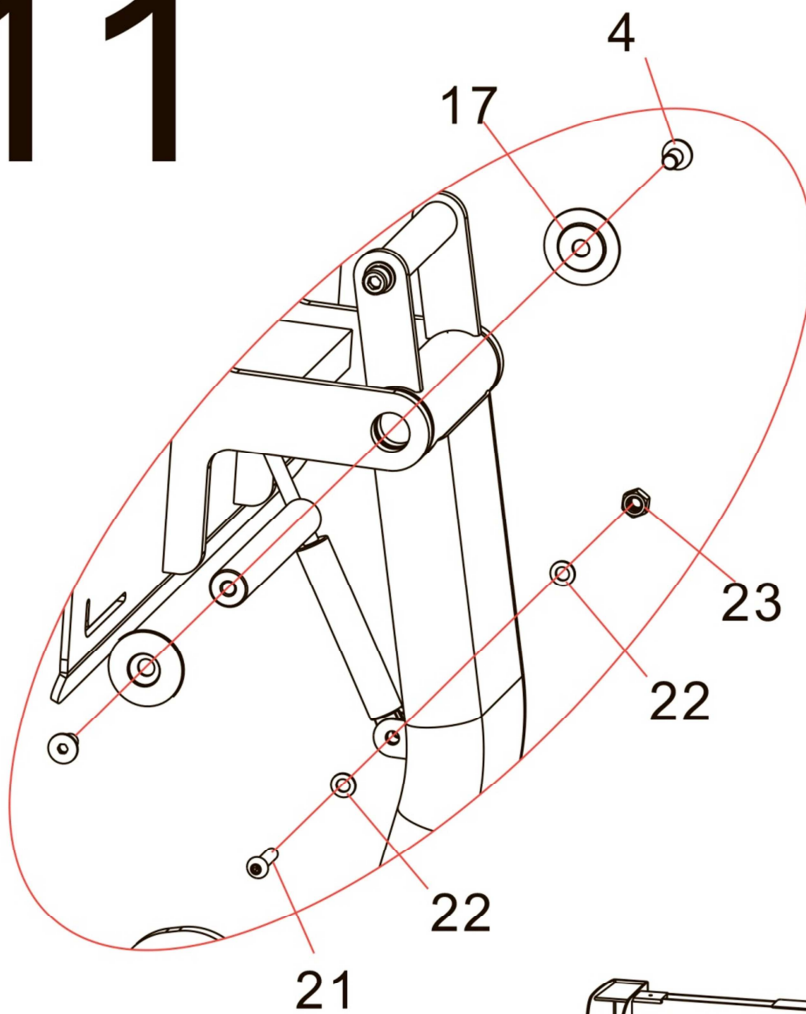


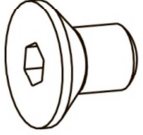

M10




M10X25




11





4  X2
M10X20 

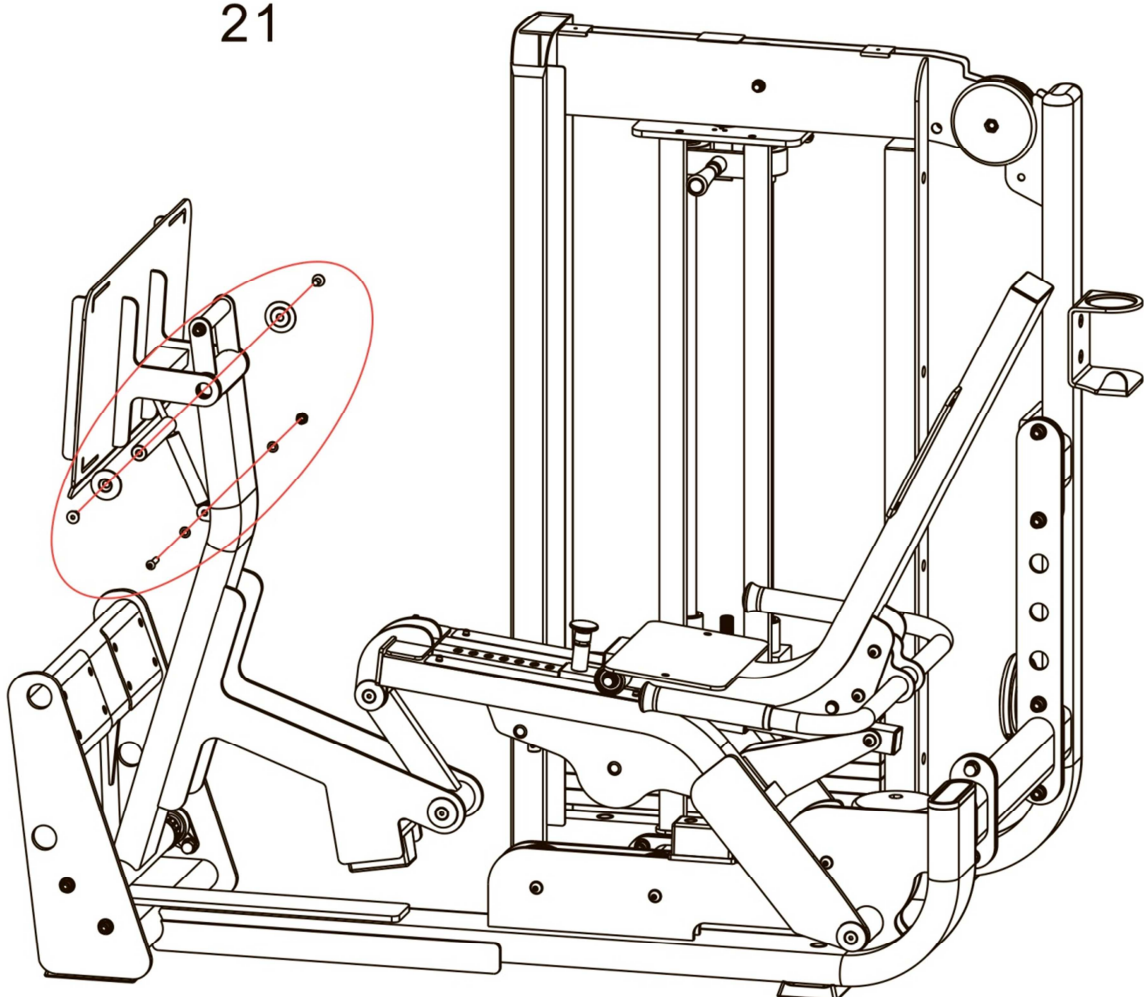
17  X2

$\phi 50 \times \phi 11 \times 8.1$

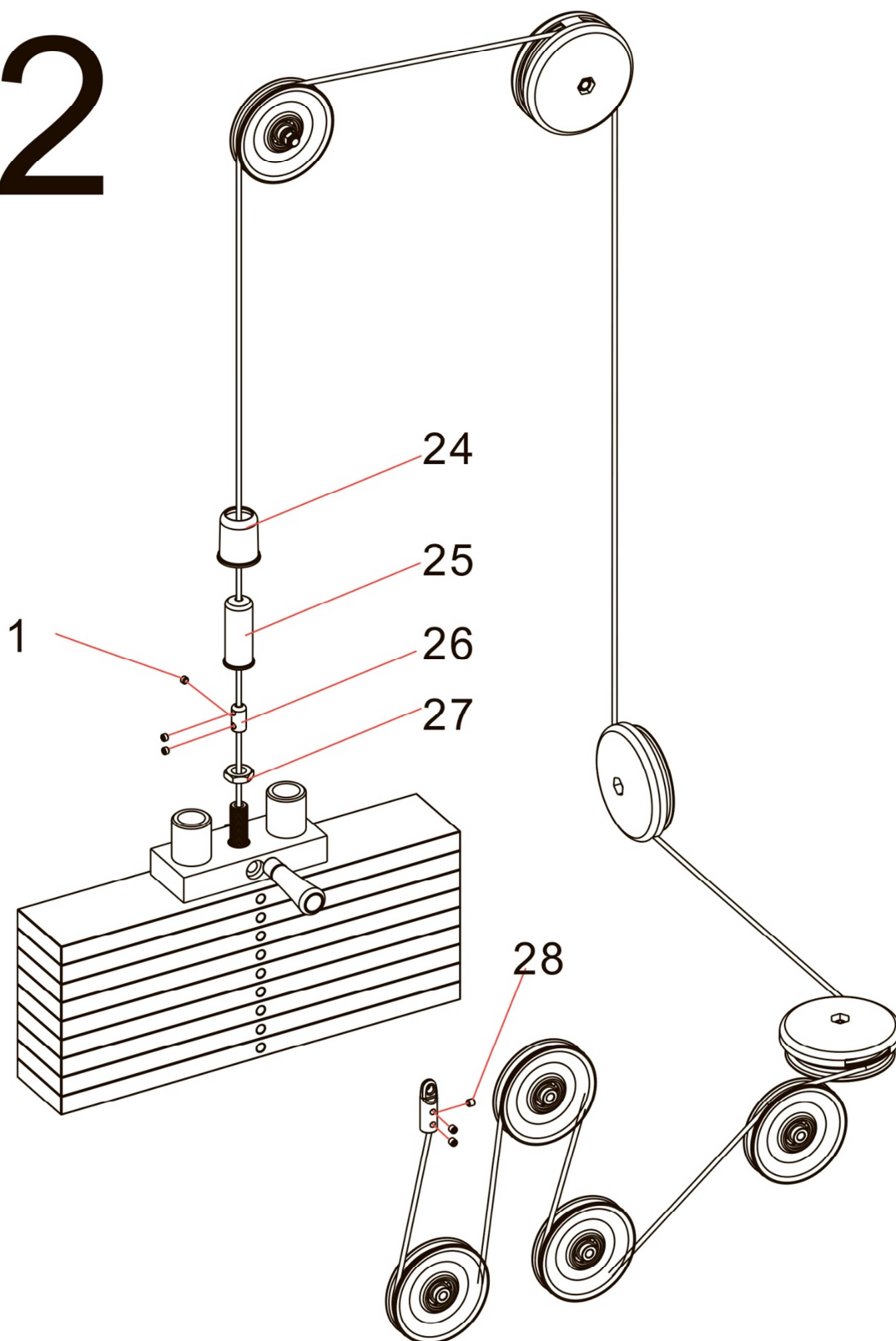
21   X1
M8X35 

22  X2
M8 

23  X1
M8 



12



1  X3

M8X10 

24  X1

$\Phi 50 \times \Phi 32 \times 58.4$

25  X1

$\Phi 36 \times \Phi 32 \times M20 \times 85$

26  X1

$\Phi 17 \times 32 \times M8$

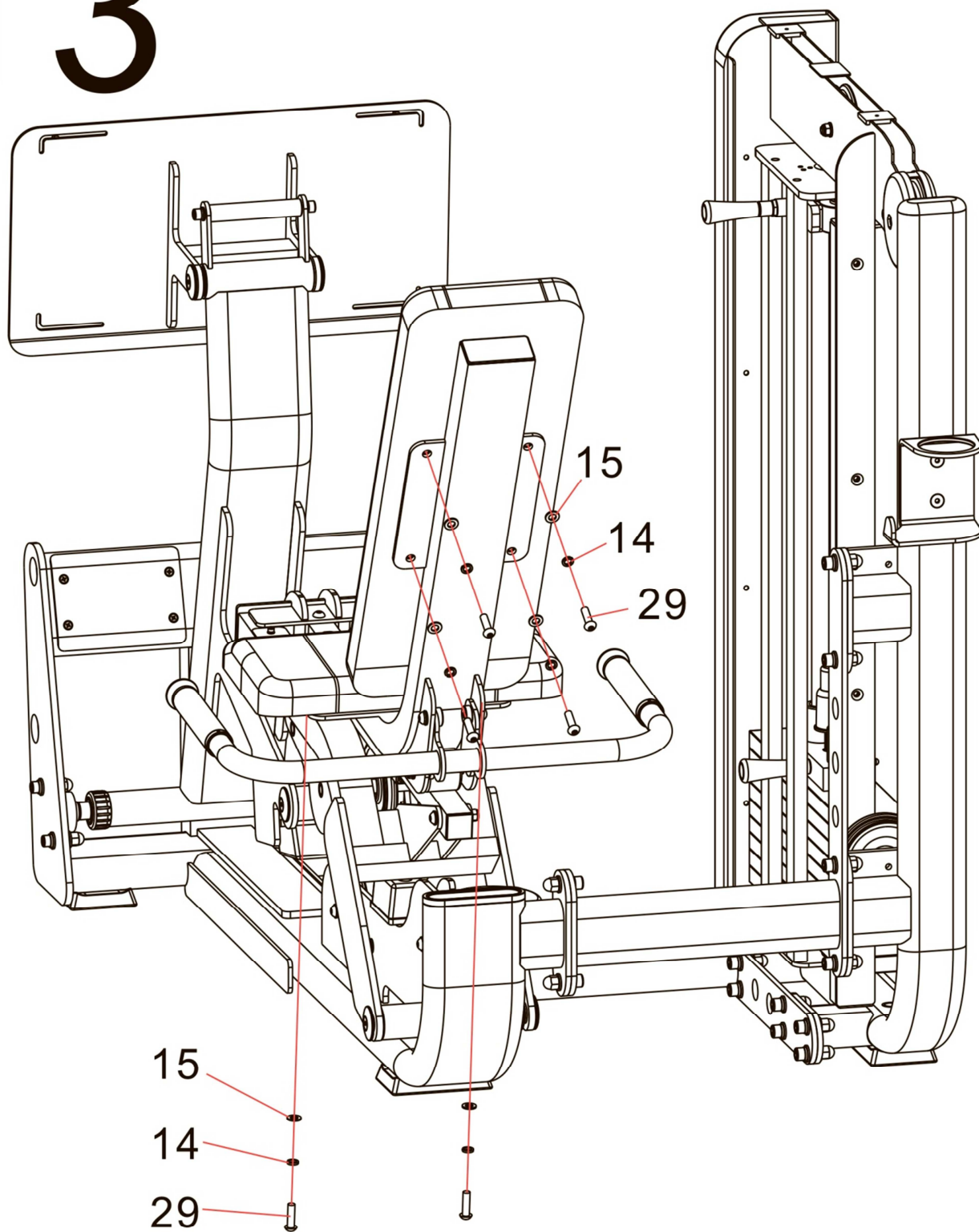
27  X1

M20 

28  X3

M8X8 

13

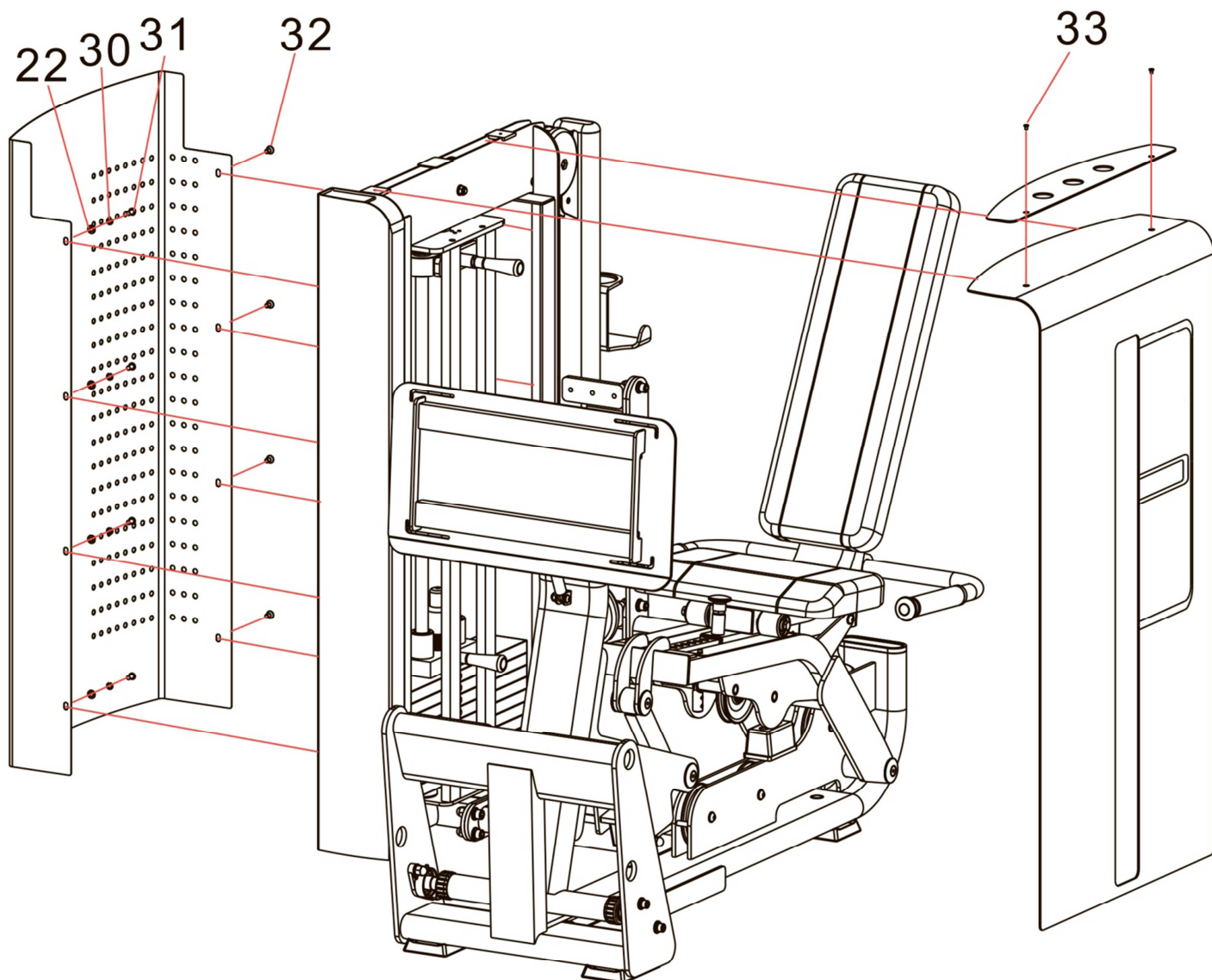




M10 



M10 

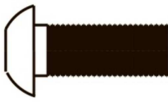

M10X35 



14

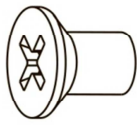



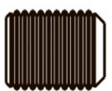
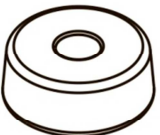
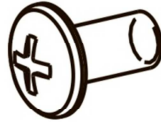


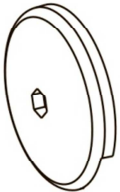
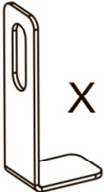

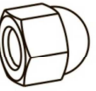






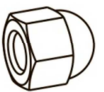






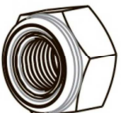









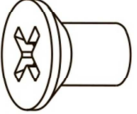
22  X4
M8 

30  X4
M8 

31  X4
M8X15 

32  X4
M8X15 

33  X2
M5X8 

- | | | | |
|-------------------------------------------------------------------------------------------------------------|--------------------------------------------------------------------------------------------------------|---------------------------------------------------------------------------------------------------------|-------------------------------------------------------------------------------------------------------------|
| 1  X5
M8X10 ● | 2  X2
Φ62xΦ26x25 | 3  X3
M6X12 ○ | 4  X10
M10X20 ○ |
| 5  X1
M10X50 ○ | 6  X1
Φ127 | 7  X1
(35+80)x25x2 | 8  X1
Φ127 |
| 9  X18
M12 ○ | 10  X36
M12 ○ | 11  X18
M12 ○ | 12  X18
M12X35 ○ |
| 13  X4
M10X40 ○ | 14  X14
M10 ○ | 15  X22
M10 ○ | 16  X4
M10 ○ |
| 17  X8
Φ50Xφ11X8.1 | 18  X2
M10 ○ | 19  X2
M10X50 ○ | 20  X4
M10X25 ○ |
| 21  X1
M8X35 ○ | 22  X6
M8 ○ | 23  X1
M8 ○ | 24  X1
Φ50xΦ32x58.4 |
| 25  X1
Φ36xΦ32xM20x85 | 26  X1
Φ17x32xM8 | 27  X1
M20 ● | 28  X3
M8X8 ● |
| 29  X6
M10X35 ○ | 30  X4
M8 ○ | 31  X4
M8X15 ○ | 32  X4
M8X15 ○ |
| 33  X2
M5X8 ○ | | | |

